

# MHF III Plug Cable Assembly

Applicable Cable for **O.D.0.81mm** Cable

## 【Part Number】

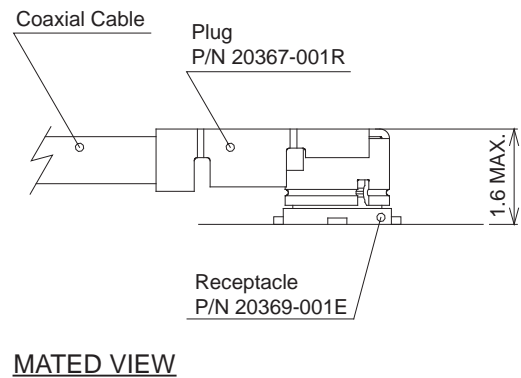
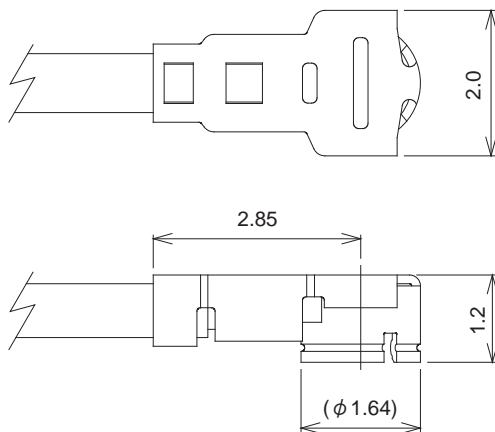
Ground Contact : **Au** Plating

### 20367 - 001 R

Packing : Reel  
1 reel : 2,000pcs

## 【Applicable Cable Size】

Part No. (Au)	20367-001R
Part No. (Ag)	-
	for AWG#36
Applicable Cable Nominal Dimension	
Braided Shield of Outer Conductor	Single Braided Shield



## 【Material and Finish】

Parts	Material	Plating / Color
HOUSING	LCP UL94V-0	NATURAL
CONTACT	COPPER ALLOY	Au
GROUND CONTACT	COPPER ALLOY	Au

# MHF III Receptacle

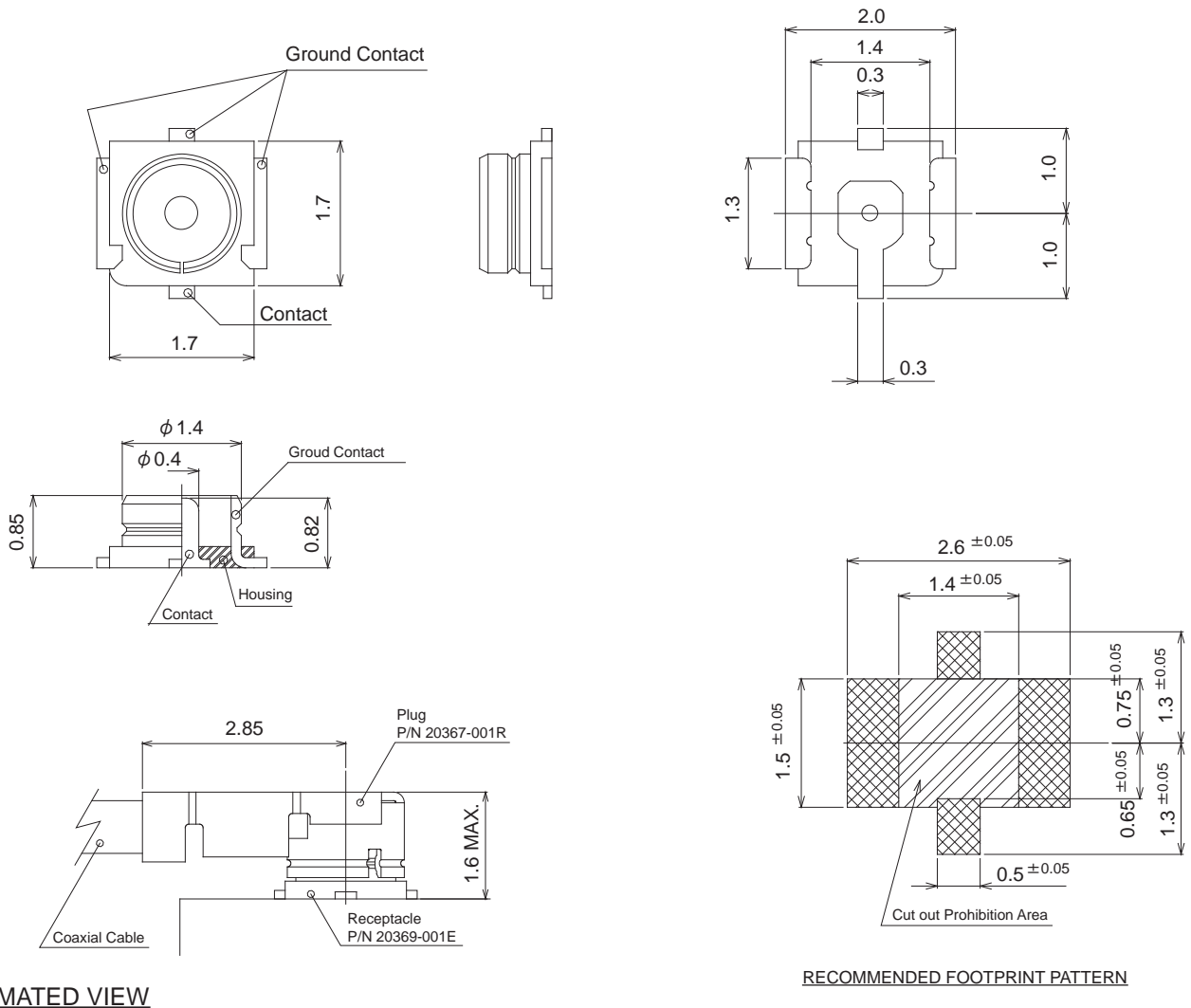
Mating Height : **1.6mm MAX**

## 【Part Number】

Ground Contact : **Au Plating**

# 20369-001 E

Packing : Emboss Tape  
1reel : 5,000pcs



MATED VIEW

RECOMMENDED FOOTPRINT PATTERN

## 【Material and Finish】

Parts	Material	Plating / Color
HOUSING	LCP UL94V-0	BLACK
CONTACT	COPPER ALLOY	Au
GROUND CONTACT	COPPER ALLOY	Au